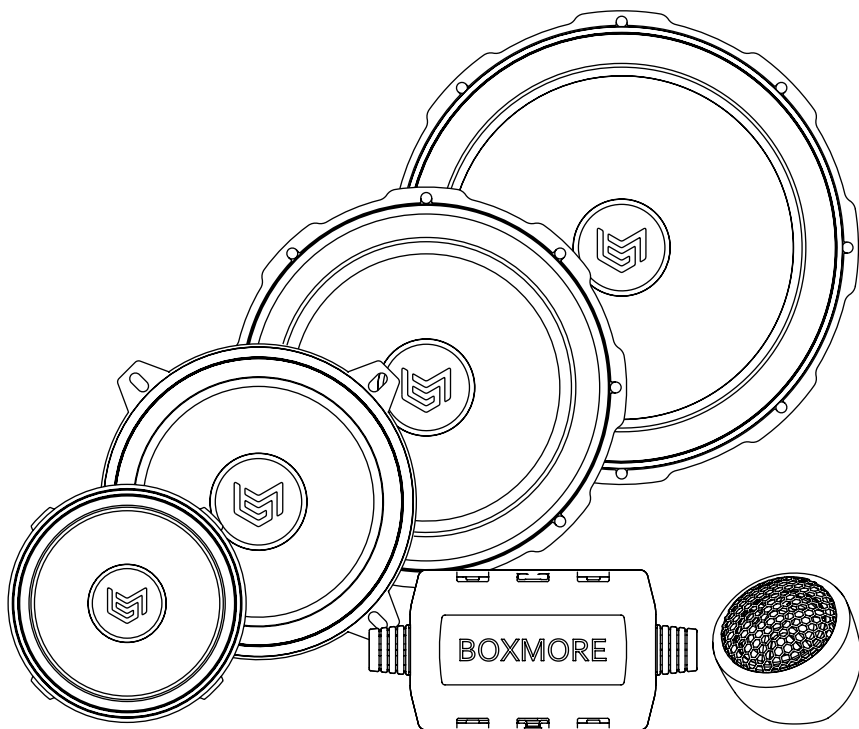




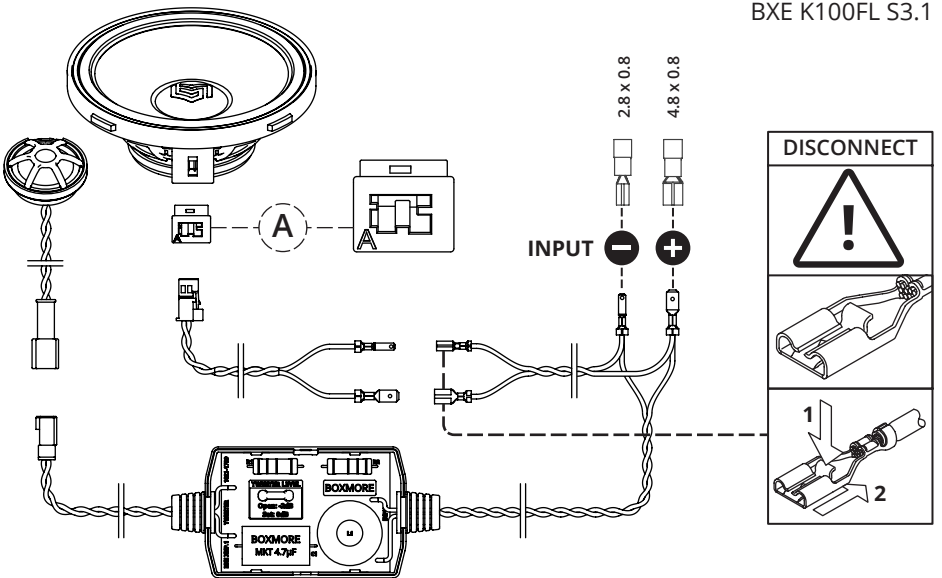
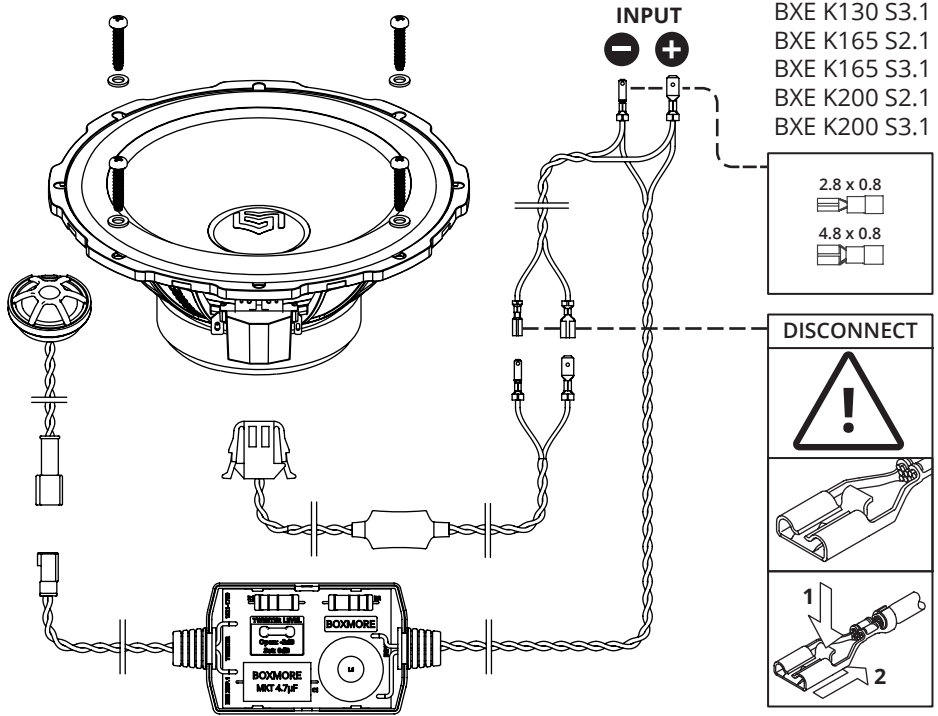
## INSTALLATION MANUAL



BXE K100FL S3.1 • BXE C100FL S3.1 • BXE M100FL S3.1 • BXE K130 S3.1  
BXE C130 S3.1 • BXE K165 S2.1 • BXE K165 S3.1 • BXE C165 S3.1 • BXE W165 S2.1  
BXE W165 S3.1 • BXE K200 S2.1 • BXE K200 S3.1 • BXE W200 S2.1 • BXE W200 S3.1

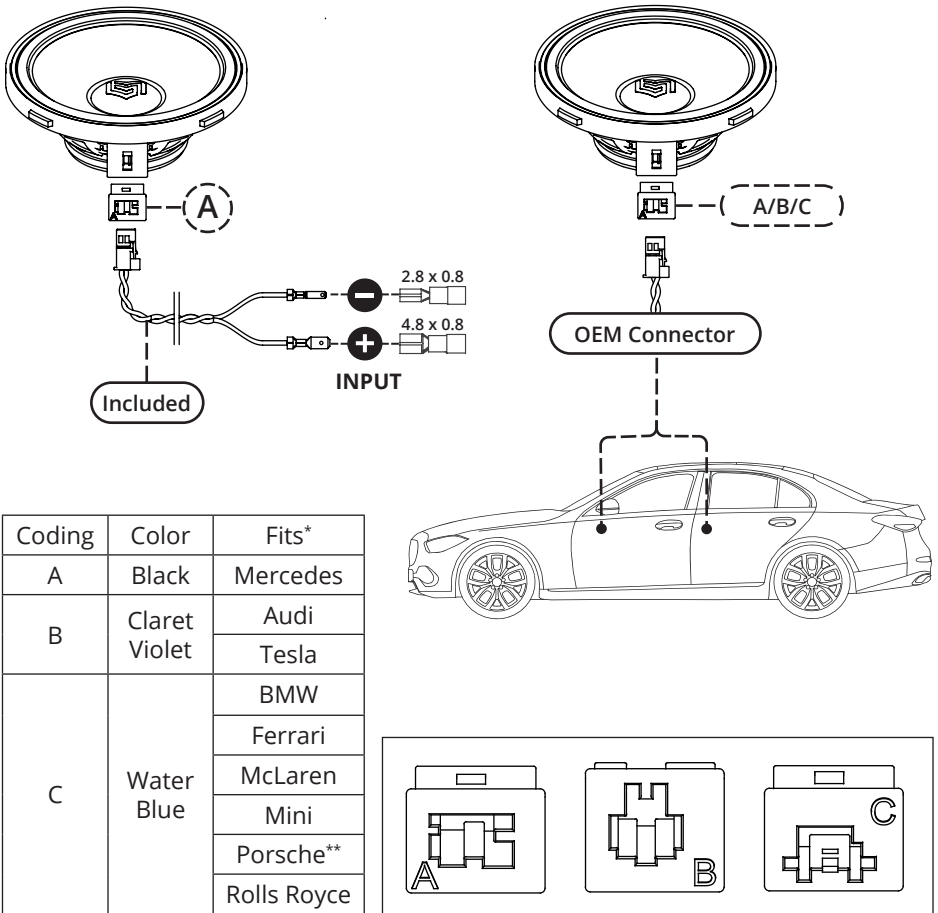


# Connection Diagram



## Connection Diagram

BXE C100FL S3.1 • BXE M100FL S3.1



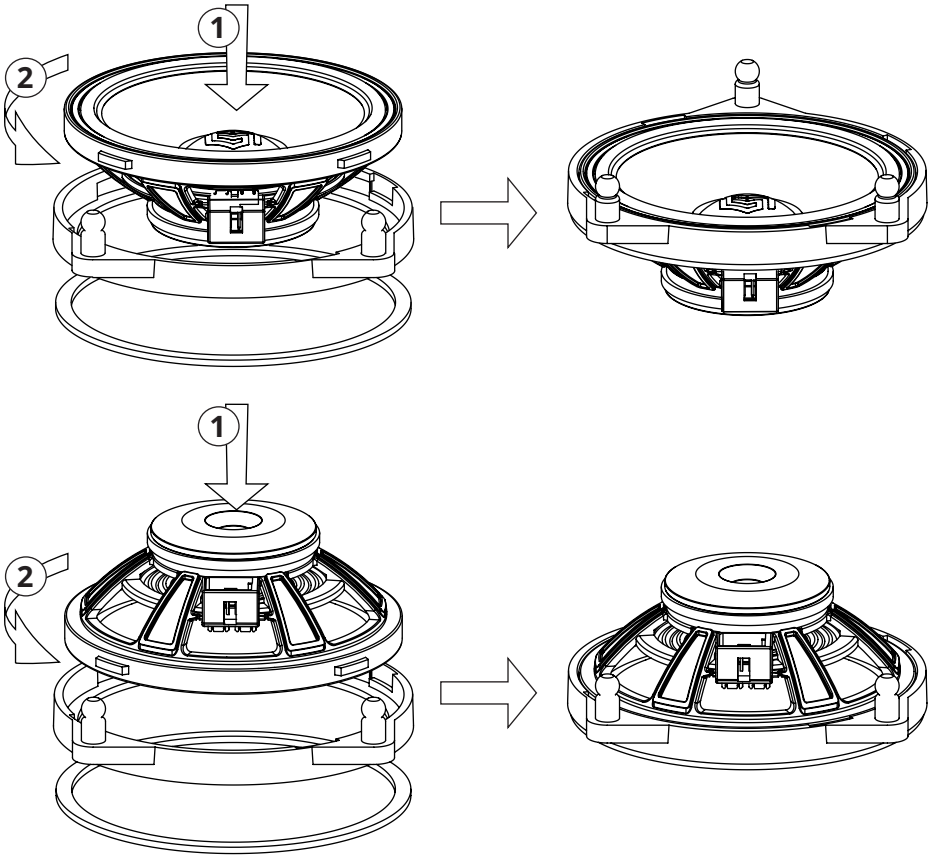
\*All or certain models  
 \*\*Note: Polarity reversed.

## BLOX 100 | Included accessories

Packaging contents	Coding Adapters			Mounting Rings	
	A	B	C	LR 100 UNI.1	LR 100 UNI.2
BXE C100 FL S3.1	✓	✓	✓	✓	✓
BXE M100 FL S3.1	✓				✓
BXE K100 FL S3.1	✓				✓

## BLOX 100 | Mounting Options

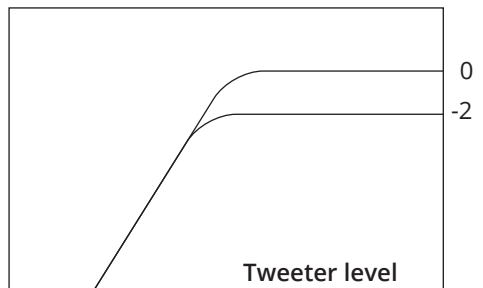
BLOX 100 adapter rings can be mounted to the speakers in two directions. Make sure to use the appropriate mounting option for your vehicle.



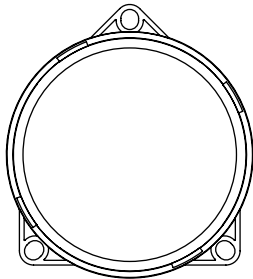
## Crossover | Tweeter Level

The correct tweeter level depends on the location of the speakers. Confirm the level by listening to the speakers and modify the jumper setting if needed. Remove the jumper if the tweeter level is too high.

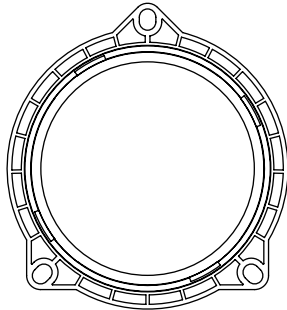
Jumper	Level	Figure
Set	0 dB	<b>A</b>
Open	-2 dB	<b>B</b>



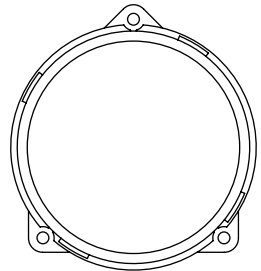
**BLOX 100 | Car Specific Adapters (sold separately)**



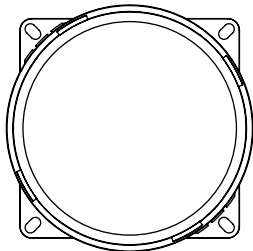
BMW, Ferrari, Mini,  
Porsche, Tesla, Rolls Royce



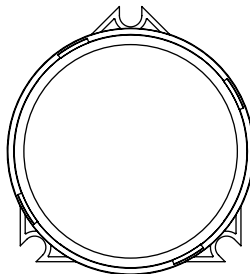
BMW, Mini,  
Rolls Royce



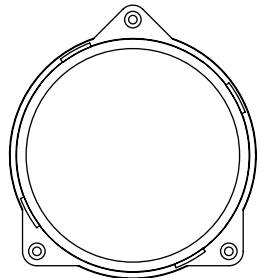
Jaguar, Land Rover



Universal

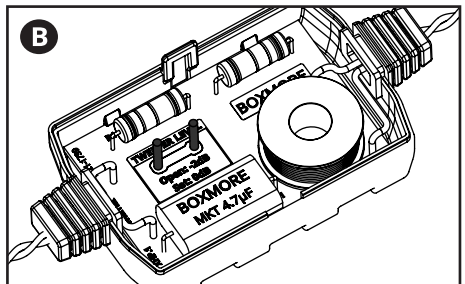
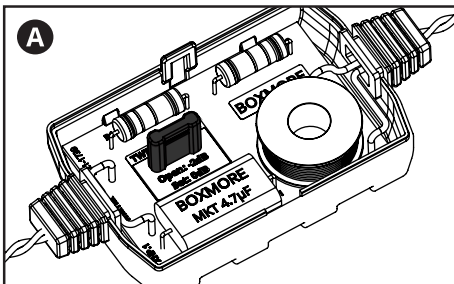


Universal\*, Volvo

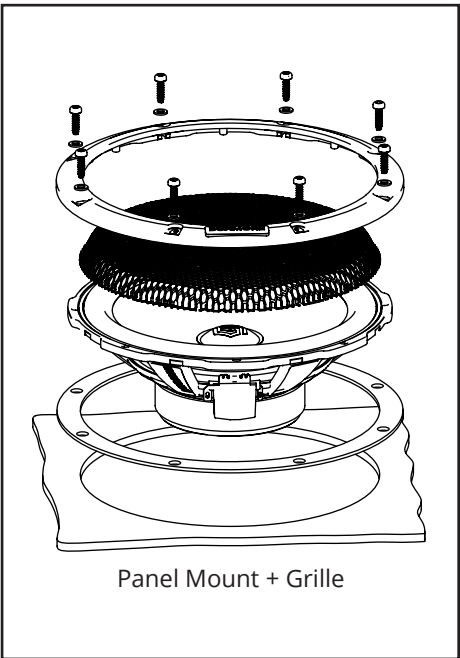
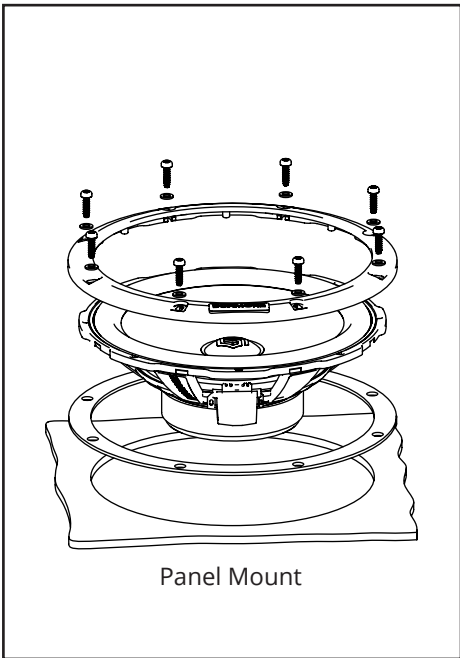
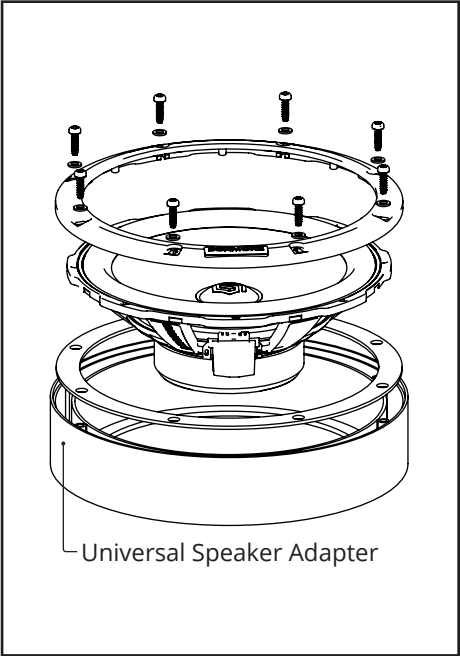
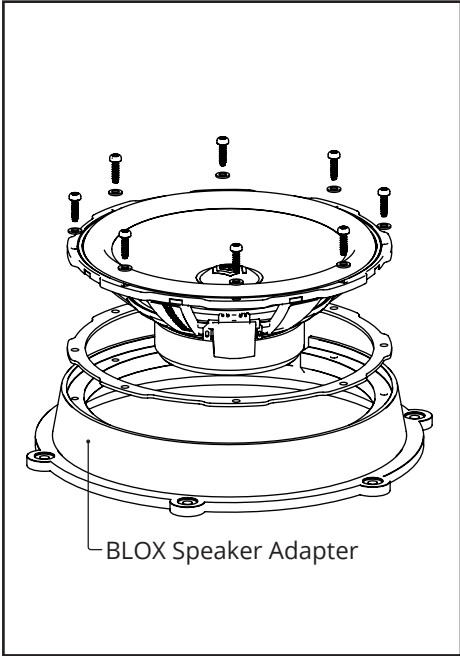


Mercedes

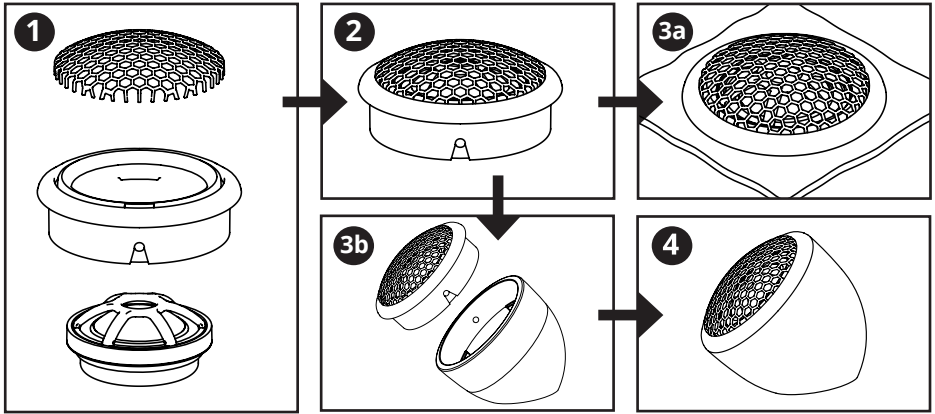
\*Approximate fit for various car models with 3-point speaker mounting. To ensure the best possible installation conditions it is strongly recommended to use the dedicated adapter for your car. Contact your retailer or visit our website for an up-to-date overview of available adapters.



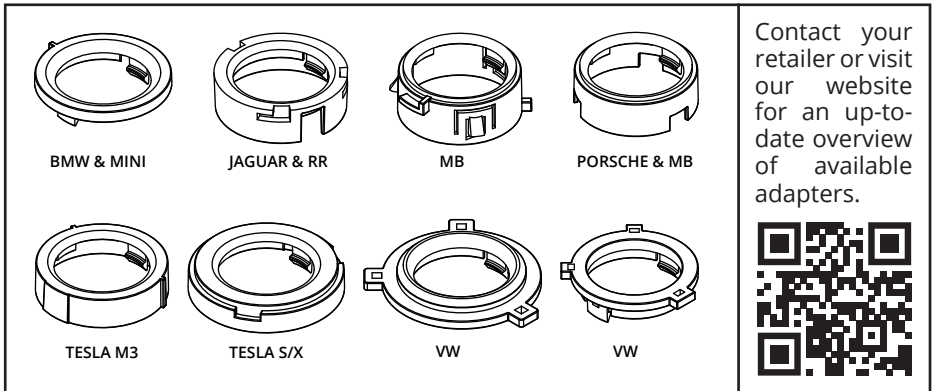
**BLOX 200 | Mounting Options**



## Tweeter Mounting Options



## Car Specific Tweeter Adapters (sold separately)



## Correct Disposal of This Product

*(Applicable in the European Union and other countries with separate collection systems)*

If you want to dispose this product, do not mix it with general household waste. There is a separate collection system for used electronic products in accordance with legislation that requires proper treatment, recovery and recycling. Contact your local government office for details in locating a recycle facility close to you. Proper recycling and waste disposal will help conserve resources and prevent detrimental effects on our health and the environment.





**BOXMORE EUROPE B.V.**  
Wanroijseweg 32a • 5451 HA Mill • Netherlands  
[www.boxmore.eu](http://www.boxmore.eu)